

最大程度满足用户的需求、与用户共同成长  
Try our best to meet the customers' needs and Grow up together!



**成都戴梦迪超硬工具有限责任公司**  
**CHENGDU DIAMOND TOOLS CO.,LTD**

地址: 成都市青羊区蛟龙工业港黄海路3座  
邮编: 610091

电话: 028-87075862 87073551

传真: 028-87075870

Http://www.cddmd.com E-mail:dmd@cddmd.com

Chengdu Diamond Tools CO.,LTD.

ADD:Building 3 HuangHai Road JiaoLong Industry

Port of Qingyang District,Chengdu,China

POST:610091

TEL:0086-28-87075862/87073551

FAX:0086-28-87075870



# PCD立铣刀

PCD End mill

[www.cddmd.com](http://www.cddmd.com)



**成都戴梦迪超硬工具有限责任公司**  
**CHENGDU DIAMOND TOOLS CO.,LTD**

最大程度满足用户的需求、与用户共同成长  
Try our best to meet the customers' needs and Grow up together!



## 公司简介 Introduction

成都戴梦迪超硬工具有限责任公司是专业生产PCBN/PCD金属切削刀具、PCBN/PCD轧辊刀具、PCD螺旋立铣刀、PCD木工刀具、PCD石材刀具、硬质合金螺刀片、硬质合金成形刀片的民营企业

公司制造设备先进,技术力量雄厚

公司的宗旨:“最大程度满足用户需求,与用户共同成长”

公司生产的刀具产品在替代进口刀具;高速切削;高稳定性加工以车代磨;硬态加工等方面效果显著。尤其适合于汽车、电子行业的规模化生产。公司目前已成为国内众多汽车及零部件制造厂的指定供应商,产品远销海外市场

公司已通过ISO9001-2008质量管理体系认证、出口SGS认证

Chengdu Diamond Tools Co.,Ltd is a business enterprise specialized in PCBN/PCD metal cutting tools、Roller tools、PCD End milling cutters、woodworking cutters、Stone engraving cutters、Carbide threading inserts and forming inserts.

It owns advanced equipments and many outstanding experts.

The company Aims: Try our best to meet the customers' needs and Grow up together!

Our goods are well known for their high stability, high cutting speed, high precision, good surface roughness and ideal substitutes for some imported products.

They are especially suitable for mass production of Automobile Industry and Electron Industry

Our tools have been exported to overseas market and enjoying good reputations.

The company has been granted with the ISO9001:2008 quality Certificated by CQC in China.

Also Obtained the “Audited Supplier” Certificated by SGS.



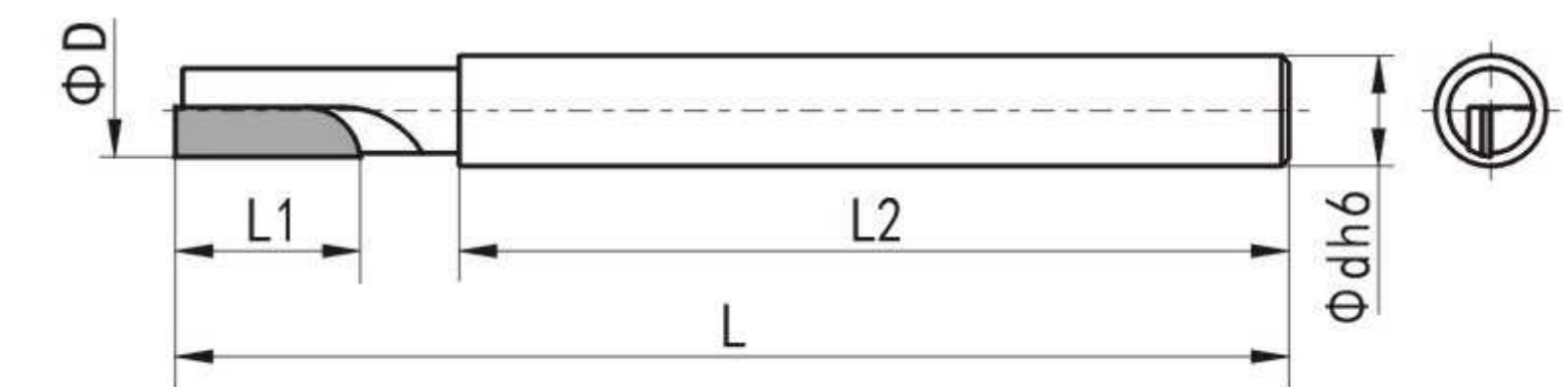
## PCD立铣刀 PCD End mill

成都戴梦迪超硬工具有限责任公司  
CHENGDU DIAMOND TOOLS CO.,LTD



### 1 PCD立铣刀 (硬质合金柄) PCD End mill(carbide shank)

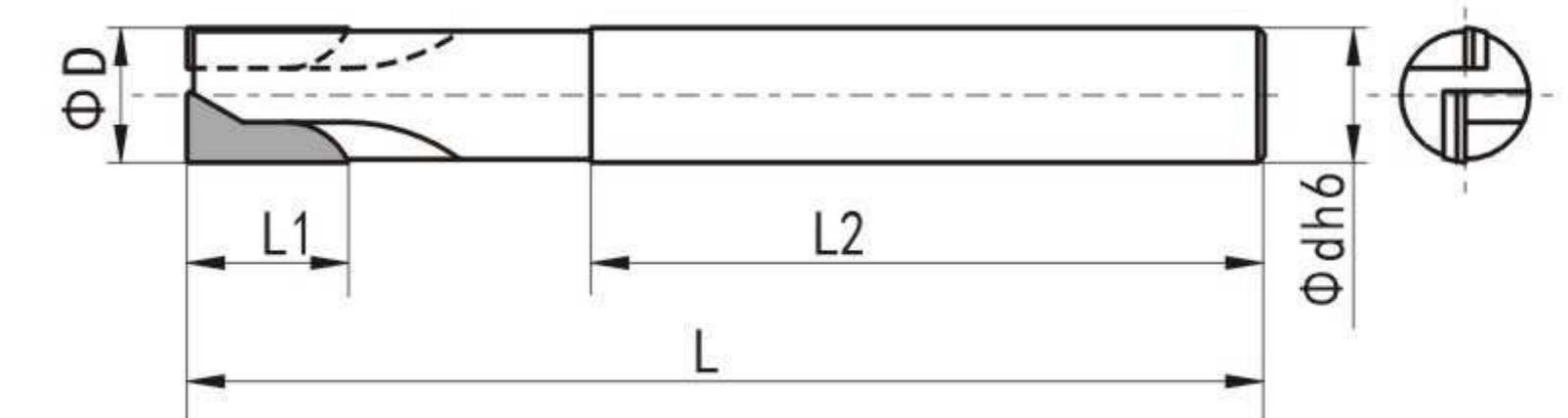
#### 1.1 单刃立铣刀 Single tip End mill



订货号 Order No.	尺寸 Dimension(mm)					
	刃数 tip	D	d	L	L1	L2
DID04L10	1	4.0	6.0	60	10	45
DID05L10	1	5.0	6.0	60	10	45
DID06L10	1	6.0	6.0	60	10	45

▲ 订货举例: DID04L10 1把 Order example:DID04L10 1PC

#### 1.2 双刃立铣刀 Two edges End mill

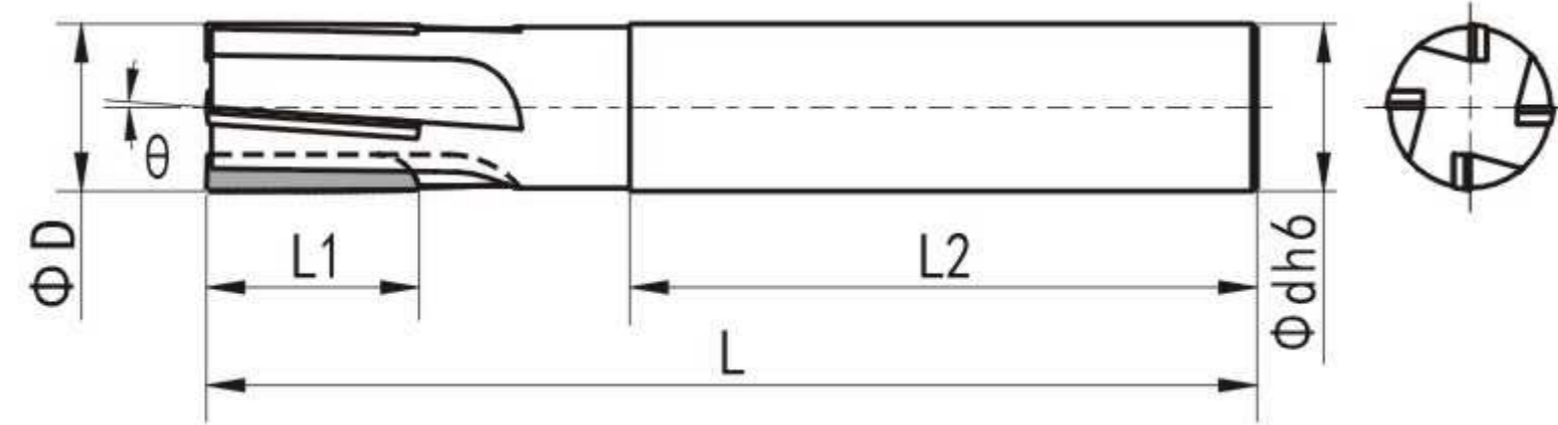


订货号 Order No.	尺寸 Dimension(mm)						
	刃数 tip	D	d	L	L1	L2	轴向前角 axial rake angle
DJD06L10-2Z	2	6.0	6.0	60	10	45	0° / 2°
DJD06L15-2Z	2	6.0	6.0	60	15	40	0° / 2°
DJD08L10-2Z	2	8.0	8.0	80	10	60	0° / 3°
DJD08L20-2Z	2	8.0	8.0	80	20	50	0° / 3°
DJD10L10-2Z	2	10.0	10.0	80	10	50	0° / 4°
DJD10L20-2Z	2	10.0	10.0	80	20	50	0° / 4°
DJD12L10-2Z	2	12.0	12.0	100	10	70	0° / 4°
DJD12L20-2Z	2	12.0	12.0	100	20	70	0° / 4°

▲ 订货举例: DJD06L10-2Z 1把 Order example: DJD06L10-2Z 1PC



1.3 螺旋立铣刀 Helical End mill



订货号 Order No.	尺寸 Dimension(mm)						
	刃数 tip	D	d	L	L1	L2	θ
DKD06L10-2Z	2	6.0	6.0	60	10	45	2°
DKD06L15-2Z	2	6.0	6.0	60	15	40	2°
DKD08L15-2Z	2	8.0	8.0	80	15	60	3°
DKD08L15-3Z	3	8.0	8.0	80	15	50	2°
DKD10L15-2Z	2	10.0	10.0	80	15	50	4°
DKD10L15-3Z	3	10.0	10.0	80	15	50	3°
DKD12L10-2Z	2	12.0	12.0	85	10	60	6°
DKD12L20-2Z	2	12.0	12.0	100	20	70	6°
DKD12L20-3Z	3	12.0	12.0	100	20	70	4°
DKD12L20-4Z	4	12.0	12.0	100	20	70	3°
DKD16L10-4Z	4	16.0	16.0	85	10	60	6°
DKD16L20-4Z	4	16.0	16.0	100	20	70	6°
DKD20L10-4Z	4	20.0	20.0	100	10	70	6°
DKD20L20-4Z	4	20.0	20.0	100	20	70	6°

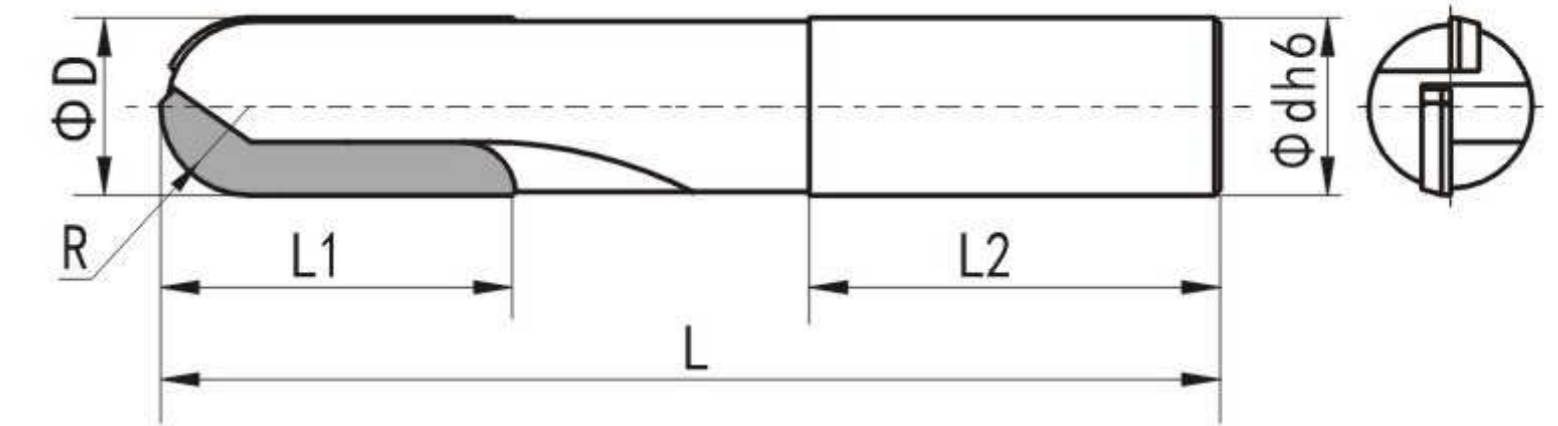
▲ 订货举例: DKD12L20-4Z 1把 Order example: DKD12L20-4Z 1PC



▲ 订货举例: DKD12L20-4Z-L 1把 Order example: DKD12L20-4Z-L 1PC



1.4 球头铣刀 Ball nose milling cutter

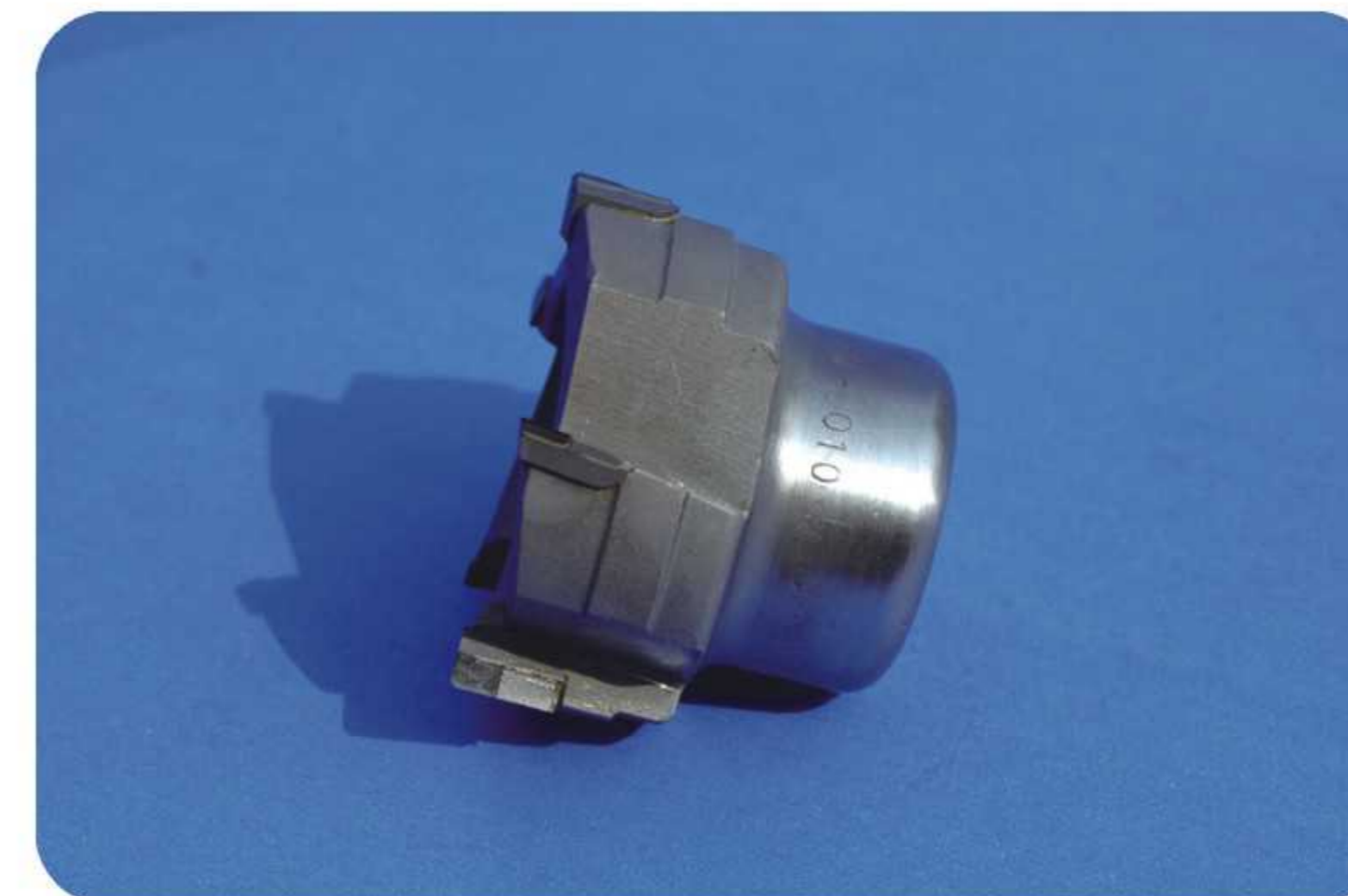


订货号 Order No.	尺寸 Dimension(mm)						
	刃数 tip	D	d	R	L	L1	L2
DQD04L10	1	4.0	6.0	2	60	10	45
DQD06L10	1	6.0	6.0	3	60	10	45
DQD08L10	2	8.0	8.0	4	80	10	60
DQD08L20	2	8.0	8.0	4	80	20	50
DQD10L10	2	10.0	10.0	5	80	10	60
DQD10L20	2	10.0	10.0	5	80	20	50
DQD12L10	2	12.0	12.0	6	100	10	70
DQD12L20	2	12.0	12.0	6	100	20	60
DQD16L10	2	16.0	16.0	8	100	10	70
DQD16L20	2	16.0	16.0	8	100	20	60

▲ 订货举例: DQD04L10 1把 Order example: DQD04L10 1PC

2 PCD立铣刀 (≥Φ20mm钢柄) PCD End mill(Steel shank ≥ Φ20mm)

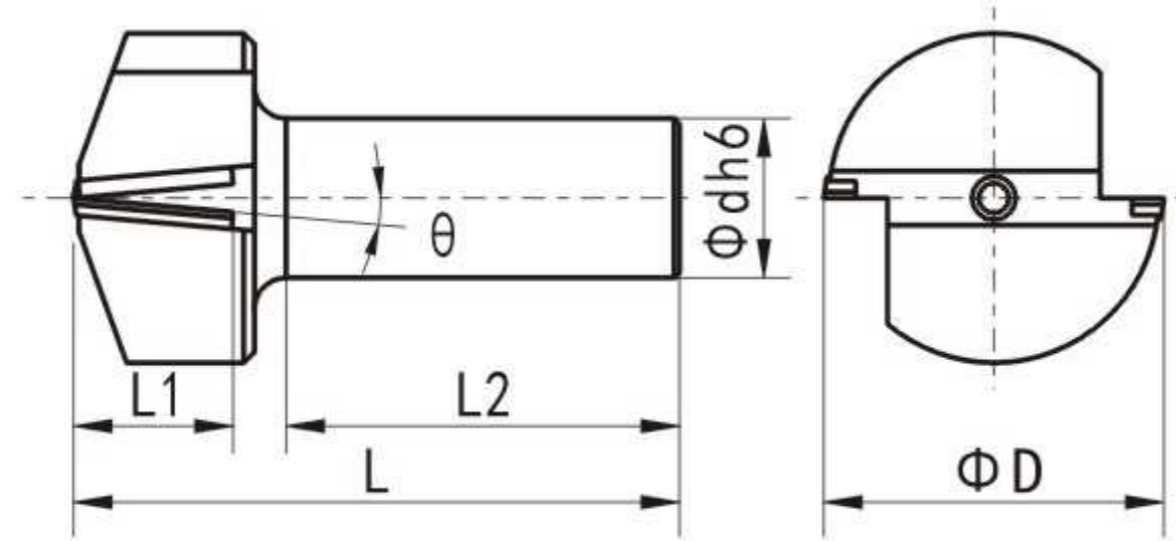
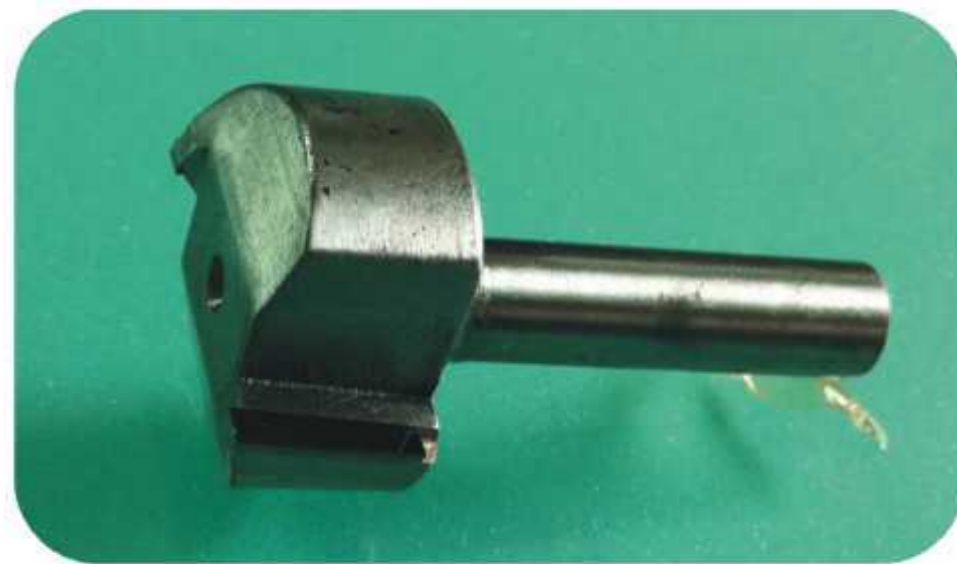
2.1 PCD 5刃铣刀 PCD 5 edges milling cutter



▲ 订货举例: PCD 5刃铣刀 1把 Order example: PCD 5 edges milling cutter 1PC



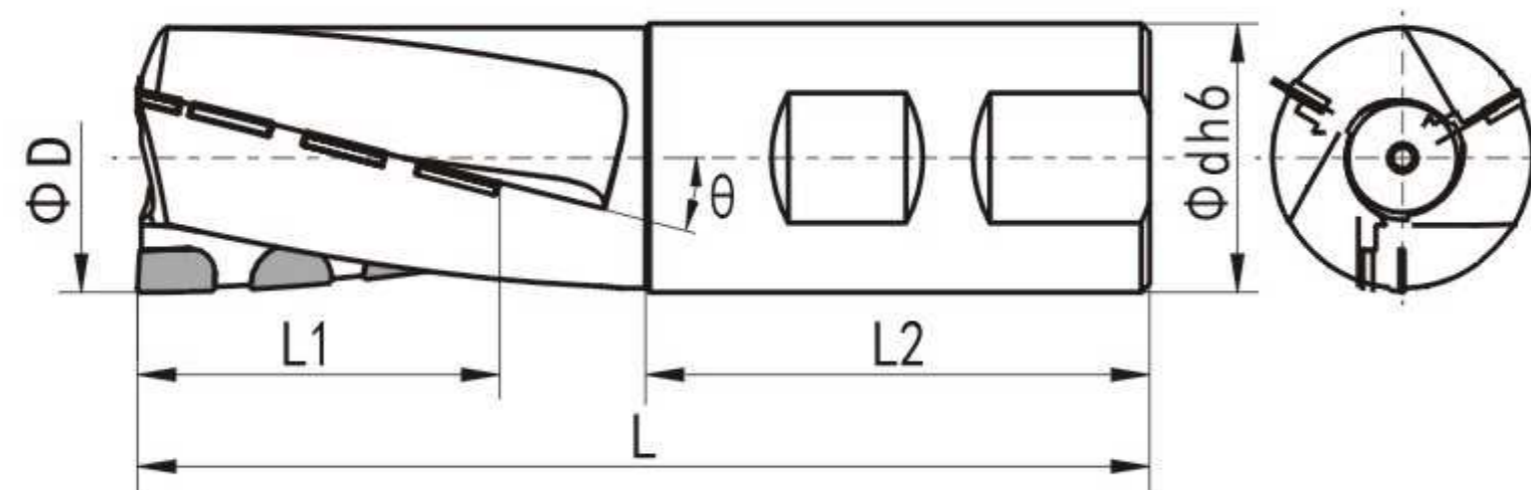
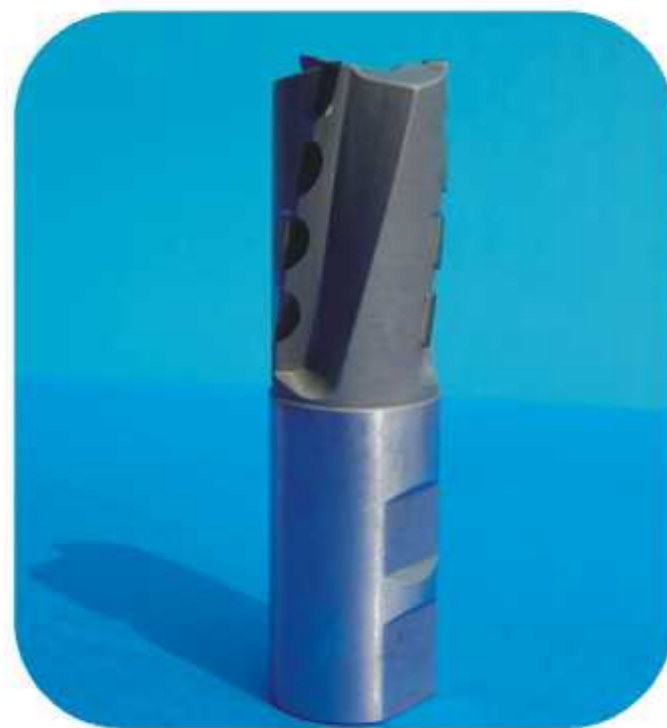
2.2 PCD双刃立铣刀 PCD Two edges End mill



订货号 Order No.	尺寸 Dimension(mm)						
	刃数 tip	D	d	L	L1	L2	θ
DKD2016L15-2Z	2	20	16	80	15	50	6°
DKD2020L15-2Z	2	20	20	80	15	50	6°
DKD2520L15-2Z	2	25	20	80	15	50	6°
DKD2525L15-2Z	2	25	25	80	15	50	6°
DKD3220L15-2Z	2	32	20	80	15	50	6°
DKD3225L15-2Z	2	32	25	80	15	50	6°
DKD3232L15-2Z	2	32	32	80	15	50	6°

▲ 订货举例: DKD2016L15-2Z 1把 Order example: DKD2016L15-2Z 1PC

2.3 PCD玉米铣刀 PCD Corn milling cutter



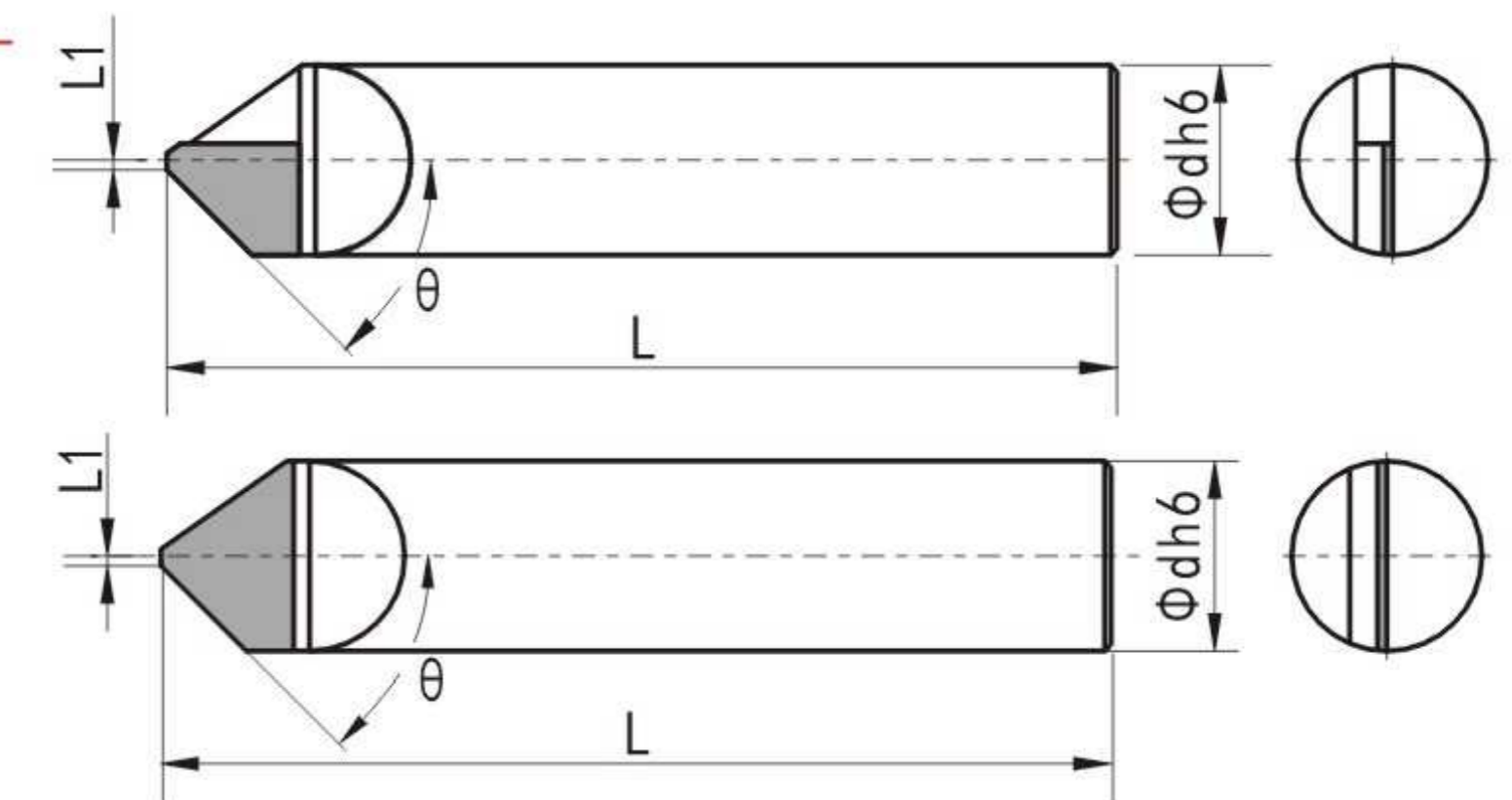
订货号 Order No.	尺寸 Dimension(mm)						
	刃数 tip	D	d	L	L1	L2	θ
DKD16L30-2Z	2	16	16	100	30	50	15°
DKD20L30-2Z	2	20	20	100	30	50	15°
DKD25L30-3Z	3	25	25	100	30	50	15°
DKD32L30-3Z	3	32	32	100	30	50	15°
DKD32L50-3Z	3	32	32	120	50	60	15°

▲ 订货举例: DKD16L30-2Z 1把 Order example: DKD16L30-2Z 1PC



3 PCD电子行业小立铣刀 PCD Small End mill(for Electronic industry)

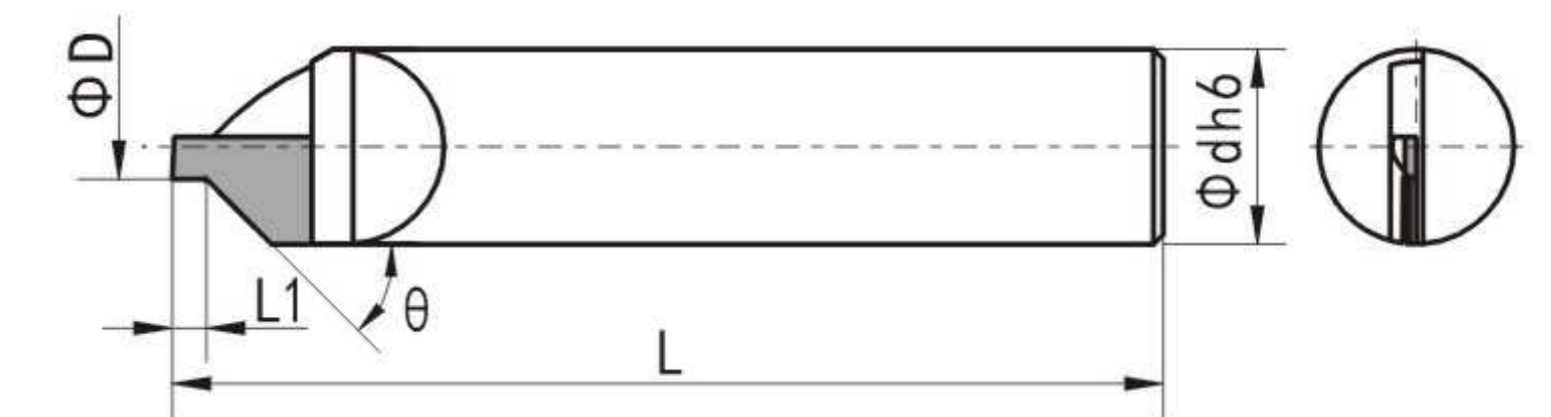
3.1 PCD倒角刀 PCD Chamfer tool



订货号 Order No.	尺寸 Dimension(mm)				
	刃数 tip	d	L	L1	θ
Φ6×40×45°	1	6.0	40	0.2	45°
Φ6×40×60°	1	6.0	40	0.2	60°
Φ6×40×78°	1	6.0	40	0.2	78°

▲ 订货举例: Φ6×40×45° 1把 Order example: Φ6×40×45° 1PC

3.2 PCD雕铣刀 PCD Carved milling cutters



订货号 Order No.	尺寸 Dimension(mm)					
	刃数 tip	ΦD	L1	d	L	θ
Φ0.8×0.5×Φ6×40×30°	1	0.8	0.5	6.0	40	30°
Φ1.2×0.8×Φ6×40×45°	1	1.2	0.8	6.0	40	45°
Φ2×1.05×Φ6×40×45°	1	2	1.05	6.0	40	45°

▲ 订货举例: Φ0.8×0.5×Φ6×40×30° 1把 Order example: Φ0.8×0.5×Φ6×40×30° 1PC